

TELETRUK



A Product of Hard Work





First take the small footprint of an industrial counterbalanced lift truck. Then add the telescopic boom of a telescopic handler. Design-in a fully enclosed hydrostatic drive system. Then finish off with a hydraulic quick-disconnect carriage for forks or shovel. Well that's what we've done at JCB to bring you the JCB Teletruk Range; the world's most

THE WORLD'S MOST VERSATILE SMALL COUNTERBALANCED LIFT TRUCK



versatile small counterbalanced lift truck. The JCB Teletruk is not just another lift truck. The range covers the most popular 2.5t – 3.5t capacity bands; diesel-powered two-wheel drive or four-wheel-drive, and two-wheel drive gas models.

Teletruks are true industrial counterbalanced machines. Because there's no vertical mast

in front of the cab, when the job calls for container loading you won't have to suffer the expense of a special container mast. With a JCB Teletruk full 'Free Lift' is exactly that; it comes free as standard. The JCB Teletruk – it's not just another lift truck.

50% less loading space

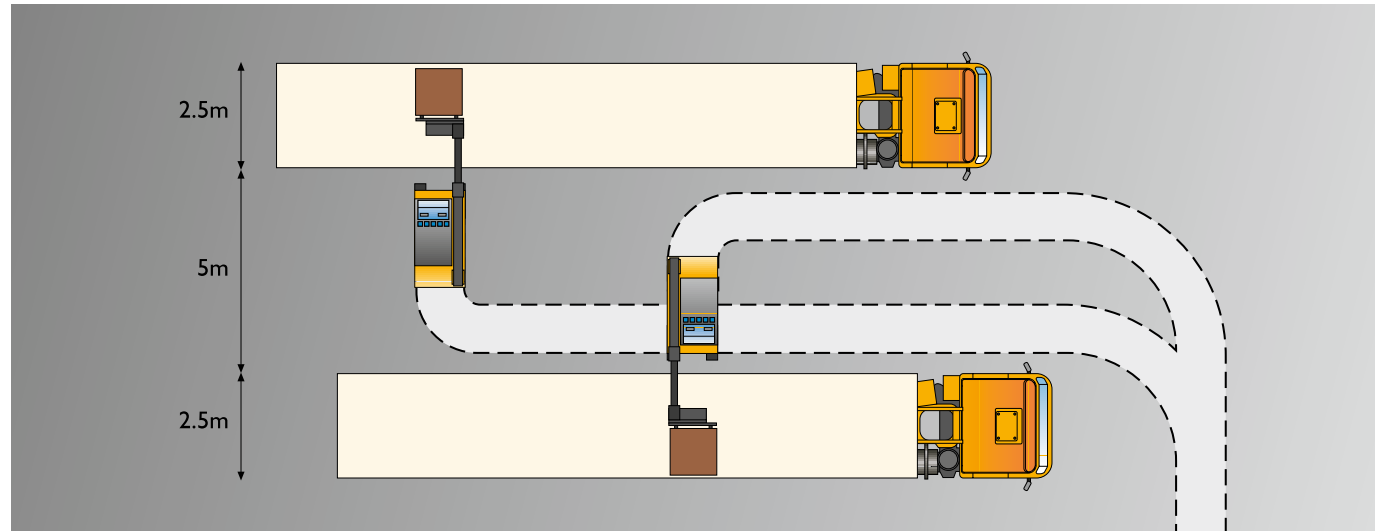
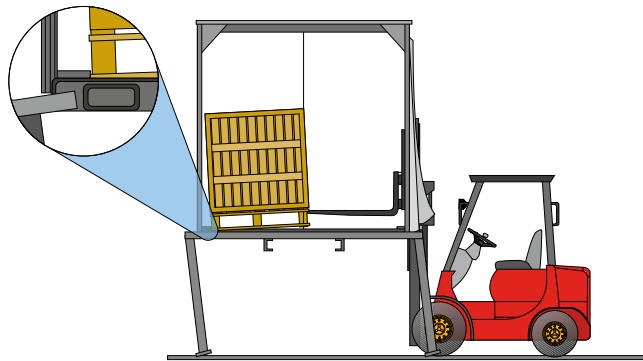
Loading a lorry trailer from only one side with a Teletruk allows the other 50% yard loading space to be utilised for other duties

Single-side loading allows improved management of yard space and better site safety. Working areas for forklifts can now be separated from pedestrian walkways

By fully utilising the benefit of forwards reach from one side of the lorry trailer, the dangerous practise of conventional forklifts having to turn 90 degrees round blind corners at the front or rear of the delivery vehicle is eliminated

When a delivery truck has to park at the kerbside on public highways, there is no need to travel into the public highway to unload. Therefore, no banksman is needed

Where single-side loading is already being done because of yard space constraints, a Teletruk eliminates the need for awkward slip-on fork-extendors or hydraulic pantograph extendors



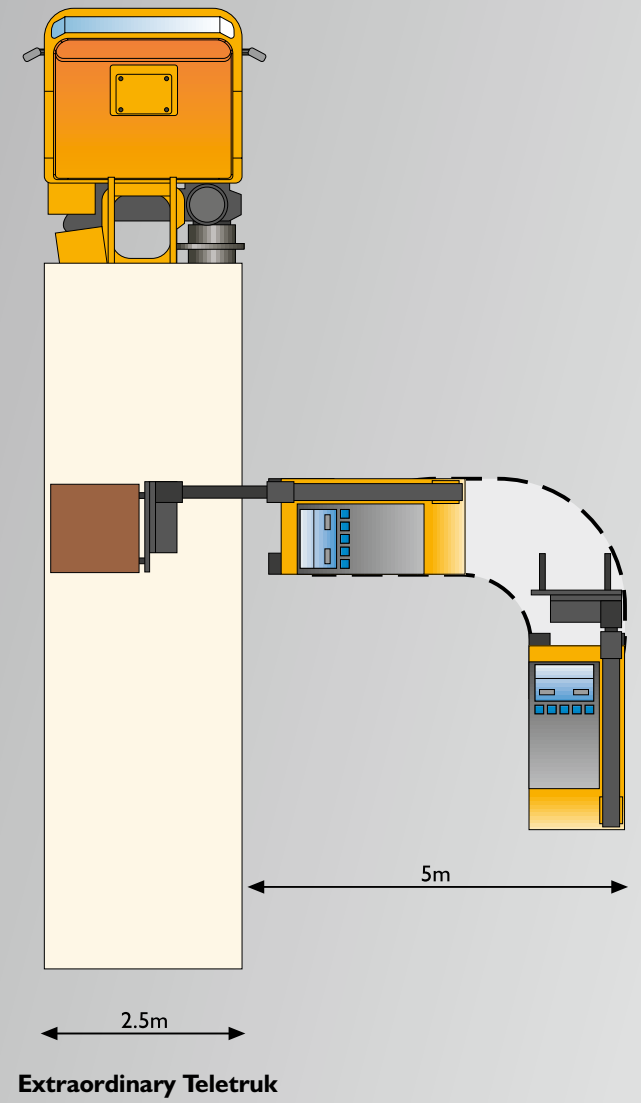
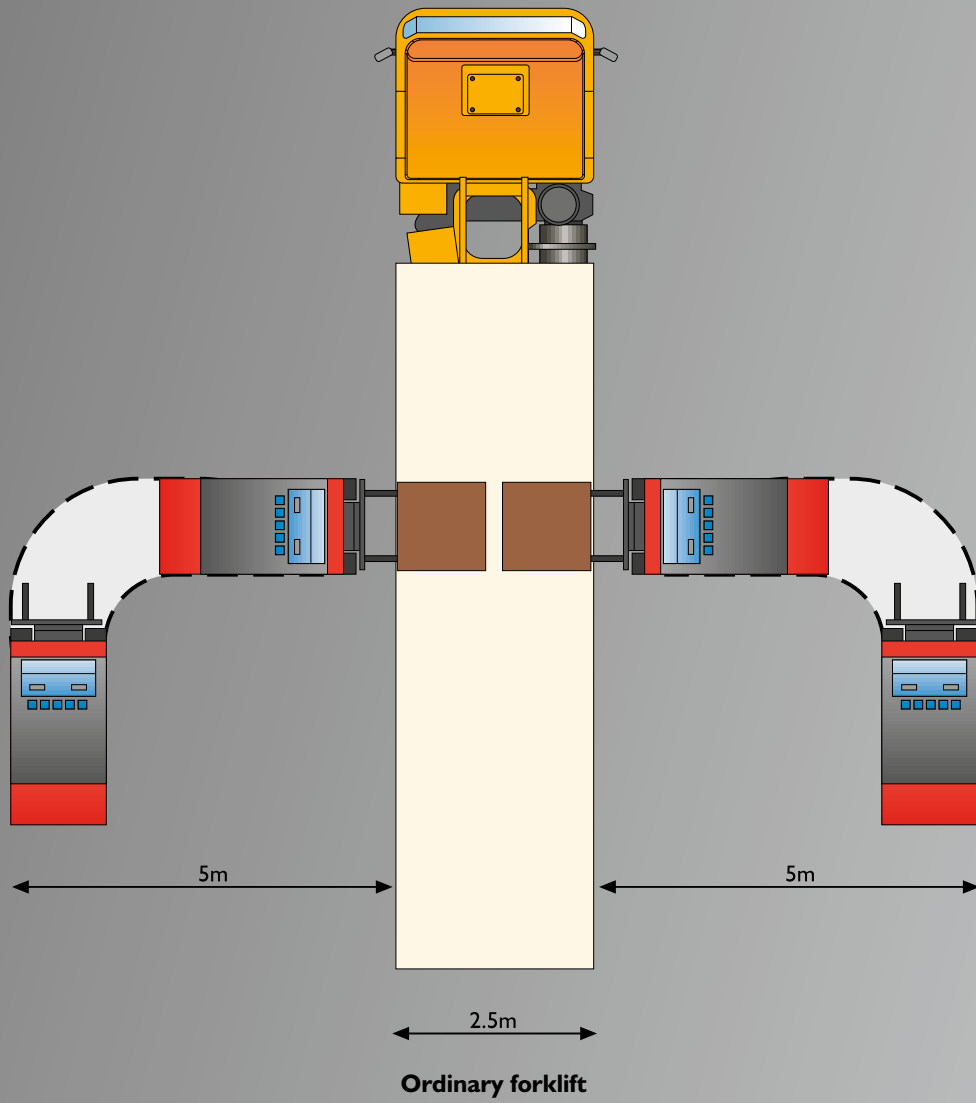
Create one-way flow

One-Way traffic flow can be created on very congested inner-city sites. Teletruk single-side loading allows the space to become operational where narrow roadways make it impossible for conventional FLT's to work both sides of the trailer.

Work better with demountable "tilt" bodies

Demountable "tilt" bodies can be vulnerable to damage. Conventional masted forklifts can push heavy loads against the raised edges of the 'tilt' body (see example left). If sufficient force is carelessly exerted the box-section legs can be bent, or the 'tilt' body can even be pushed over, but the JCB Teletruk will reach loads over the raised edge lip and lower down without any pushing or pulling.

Forget conventional FLT's that need access to both sides of a lorry trailer. Here's one alternative layout inside a narrow covered loading bay. Both lorries are positioned to the walls. Only 5m working space is needed between the two. Apart from the space saving, consider the safety benefits by designing a new layout like this to separate forklift duties from pedestrians and other traffic. This plan allows two trailers to be loaded in a small space little more than 12m wide. A conventional masted FLT of equivalent size will have difficulty loading only one trailer in the same width.



The small lift truck with the big capacity

Telescopic boom action increases efficiency of standard ITA Class attachments

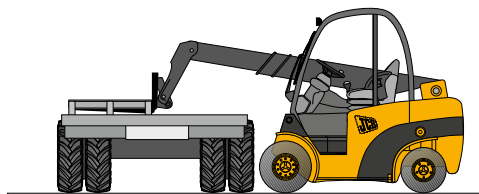
Speedy change from forks to shovel.

JCB Changezee hydraulic 20 seconds, Changezee manual disconnect 3 minutes (not available TLT30D High-Lift)

Fully enclosed hydrostatic drive means no components exposed to abrasive effects of sand or mud

High load capacities: 3.5 tonnes on TLT 35D (2100 kg at 2m forwards reach)

All operator enclosures conform to international ROPS/FOPS (Roll Over and Falling Objects protection regulations)



All machines in the JCB Teletruk Range pack a surprisingly big load capacity for such a small machine footprint.

The two-wheel-drive TLT 30D High-Lift is the perfect machine for reaching forwards. It is certainly a whole lot better than using any ordinary straight mast lift.

Consider these facts – the two-wheel-drive TLT 30D High-Lift will lift 3000kg to 5150mm. The two-wheel-drive TLT 35D will lift 3500kg to 4400mm. And the four-wheel-drive TLT 35D 4x4 will lift 2750kg to 4350mm.

Now think about this: you can change from forks to shovel in under 20 seconds (three minutes if you opt for manual disconnect). Only now can you really get significantly more done in the day by just one machine. The telescopic boom, together with the 111 degrees of carriage rotation actively increases the performance of several standard ITA attachments. The fully enclosed hydrostatic drive transmission prevents the common problems of wear and tear caused by sand and mud. This is also true for the design of the telescopic boom; there are none of the exposed chains and rollers of vertical mast lift trucks.

Quite simply – you'll find any Teletruk will get more jobs done during every work shift.

The bottom line is all about greater efficiency.





True versatility no ordinary forklift can match

Special range of JCB Teletruk attachments brings greater flexibility

'Trapdoor' JCB Bagezee shovel allows one man to fill flexible bags – save manpower

Hydraulic boom control gives precise power-up and power-down

Operator controls forks carriage angle through 111 degrees, but when set for lift / lower the angle of 'parallel lift' is maintained throughout the lift envelope

Forwards visibility and reach enable accurate loading of trucks and utility vehicles without damaging doors or bodywork



Changing attachments on ordinary masted lift trucks is usually time consuming and difficult. Usually it's not worth all the trouble. But on a JCB Teletruk you can change from forks to shovel in less than 20 seconds without leaving the cab.

Teletruks are unique amongst counterbalanced industrial forklifts because of the hydraulic JCB Changezee quick-disconnect. It is compact, lightweight yet robust, and all hydraulic services are integral with the Teletruk. It is exactly what you would expect on a larger telescopic handler, but until now fast effective hydraulic disconnect has been unknown on industrial lift trucks.

Safety-Interlocked Operation. A spring-switch must be depressed with one hand to divert the sideshift service to the locking ram. The other hand operates the service button on the main lever. So the system is designed with safety in mind because accidental disconnection is impossible.

Manual Operation. An alternative manual quick disconnect system is also available if you prefer. This is designed primarily to change between forks and a special 'trapdoor' bagging shovel – the JCB Bagezee. Manual changeover typically takes about three minutes. The 'trapdoor' shovel is ideal for filling one-ton flexi-wall bags with fertiliser, chippings or sand.

Excellent forwards visibility of the forks in the loading position, with the boom fully retracted and lowered. Note the hook-on sideshift and standard cab screen guard (see picture bottom left, opposite).

With a shovel fitted to the JCB Changezee hydraulic quick-disconnect this TLT 35D 4x4 stockpiles dry soil (see photo top right, opposite).





Boom

Hose burst check valves

Self levelling forks

111 degrees carriage rotation

Power lift and lower extend and retract for complete control

Changezee option

High lift build with TLT 30D High-Lift

Transmission

Fully enclosed hydrostatic

Choice of 2 or 4WD

Traction control options

JCB TCR torque converter response transmission

Solid pneumatic and traction tyres available





Operator enclosure

ROPS and FOPS as standard

Excellent operator visibility

1 rear and 2 front worklights as standard

Ergonomic design

Several choices – canopy to fully glazed cab

Fuel gauge on diesel models

Engine/Hydraulics

Diesel and LPG options

Catalytic converter options available

Daily operator checks grouped in single location

Standard and high flow hydraulics available for optimum attachment performance

Choice of 4 or 5 spool hydraulic functions

Manoeuvrability

Compact design

Excellent turning radius

Excellent aisle stacking in the yard

Choice of standard and low operator enclosures

Full free lift as standard

Like no ordinary lift truck, the Teletruk is extraordinary

The JCB Teletruk has the short length and narrow width of industrial counterbalanced lift trucks

Suited to yard duties in nurseries and builders merchants – telescopic handlers are just too big

Does more than ordinary industrial lift trucks. Delivery flat beds can be parked against a fence – Teletruk can load by reaching across

The two-wheel-drive TLT 30D High-Lift is pictured (top left) stacking 1500kg capacity boxes to six high. Ideal for narrow-aisle work.

Capacity sufficient to lift two full 1500kg boxes to stack seven high

Load curtainsiders from one side – save up to 50% of your loading area. Where yard space is really tight the benefits to your business operation can be significant





Like no other industrial counterbalanced lift truck – four-wheel-drive

The JCB Teletruk comes as standard with a fully-enclosed hydrostatic drive system. The machines are designed with rough-surface yards and gradients in mind, the sort of surface conditions which would be quite unsuitable for ordinary lift trucks.

A TLT 35D 4x4 is able to work well in these heavy muddy conditions and is pictured carrying a two-tonne timber pack. Such conditions would be no-go to any ordinary industrial lift truck. Note: picture top left shows a future building site with underlying rubble infill and is therefore not open agricultural land.





Unique 'power down' action for ships stores

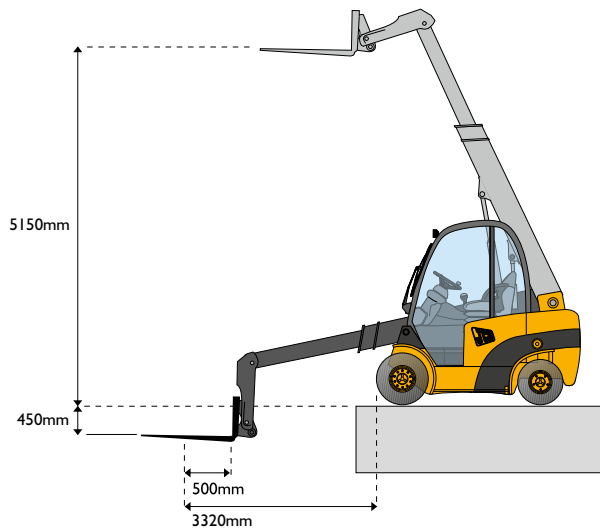
Begin loading ships stores before high tide and save time

Unique operator-controlled 111 degrees of fork angle to line-up with ship supply hatches

Slimline boom design gives operator unrivalled visibility of the load

Unique 'Power Down' hydraulics for maximum control

Fully enclosed hydrostatic driveline means there are no exposed bearings or brake assemblies prone to suffer salt spray corrosion



Ordinary lift trucks use hydraulic power for the lift cycle only, and then gravity to lower. But the JCB Teletruk uses full hydraulic power down too; and this can be put to good use for specialist applications such as loading ships stores.

For loading cruise ships the advantage of forwards reach is that work can begin on the incoming tide. This might save half-an-hour before loading hatches draw level with the quayside.

But at the same time the operator can control the forks carriage alignment to the ship's supplies transfer hatch. The rotation envelope is 111 degrees, vastly more flexible than ordinary lift trucks with the problem of tilt angle restricted to only line-up a pallet for racking.

The Teletruk's unique slimline boom is designed to ensure maximum visibility of the fork tips particularly when entering a pallet at ground level, when fully retracted.

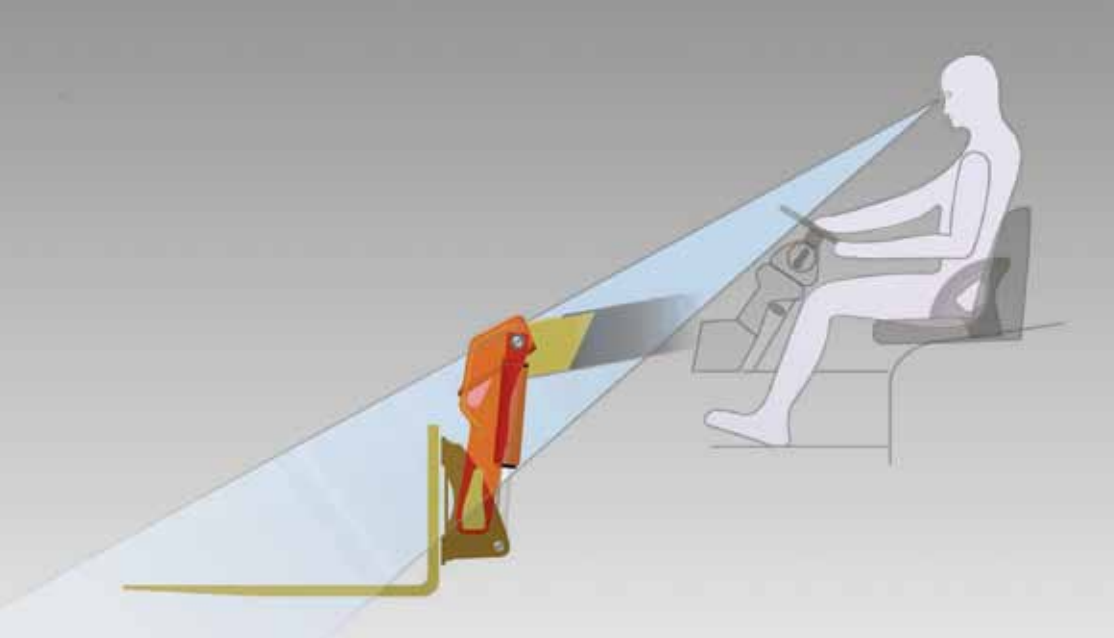
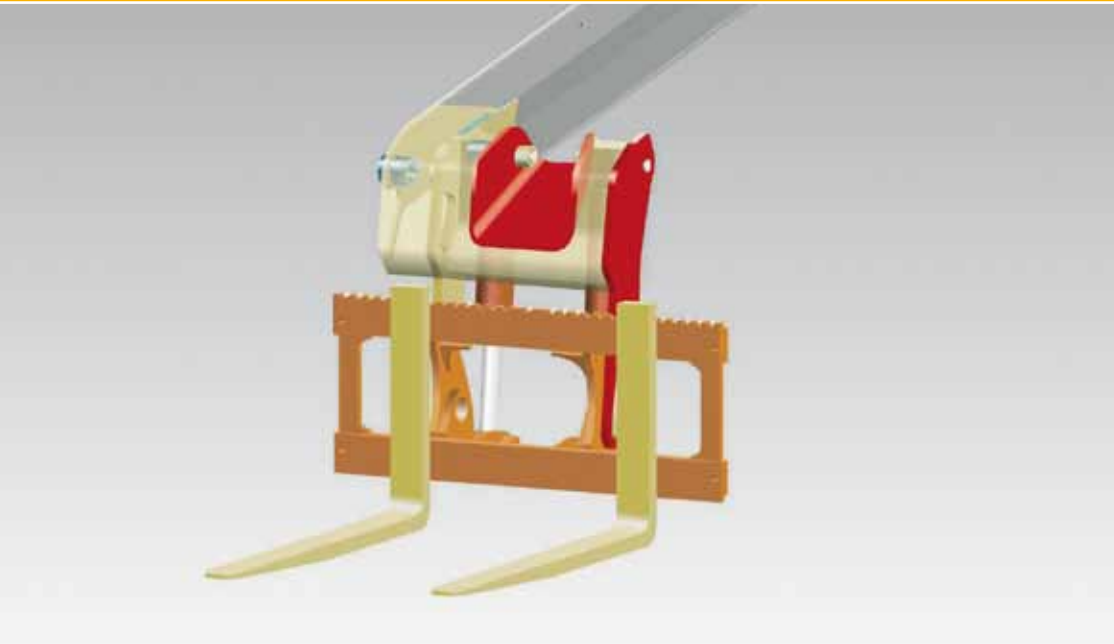
The telescopic boom eliminates the cost and regular maintenance required on a conventional three-stage mast, and also avoids the typically poor forwards visibility when the mast is fully lowered.

With the boom horizontal, Teletruk's maximum forward reach is 3320mm (model TLT30HL).

The various models in the JCB Teletruk range are every bit as compact and manoeuvrable as conventional counterbalanced lift trucks. They also offer competitive turning circles with the boom retracted.

The Teletruk boom is far more versatile than an ordinary lift truck's mast. It can reach below from raised platforms and ramps. (Diagram shows model TLT 30D High-Lift).





The JCB Teletruk range comprises ten compact models with diesel powered fully-enclosed hydrostatic drivelines in two and four-wheel-drive, and two Gas (LPG) powered two-wheel-drive models.

JCB's unique concept of a telescopic boom on an industrial counterbalanced lift truck was first introduced in 1997. Four-wheel-drive was another first from JCB introduced in 2001. Since then thousands of these versatile machines have been put to work around the world.

Telescopic forwards reach adds a whole new dimension to working with counterbalanced lift trucks and is particularly well suited to external yards.

		TLT25D	TLT25G	TLT25D Heavy Lift	TLT25G Heavy Lift
					
Maximum Lift Capacity	kg	2500	2500	2500	2500
Capacity @ 2m Forwards Reach	kg	1275	1275	1400	1400
Maximum Lift Height	mm	4100	4100	4100	4100
Maximum Forwards Reach	mm	2390	2390	2390	2390
Fuel Type		Diesel	LPG	Diesel	LPG
Engine Output	kW	35.6	43	35.6	43
Turning Radius	mm	2440	2440	2440	2440
Unladen Weight	kg	4220	4280	4340	4400
Overall Height (std / low)	mm	2190 / 2090	2190 / 2090	2190 / 2090	2190 / 2090
Overall Width	mm	1175	1175	1175	1175
Ground Clearance at Lowest Point	mm	115	115	115	115
Shovel Rated Capacity	m ³	0.6	0.6	0.6	0.6

Adaptive Load Control - New safety control fitted to JCB Teletruks

A longitudinal load movement control is fitted to the JCB Teletruk range for Europe. JCB Adaptive Load Control is in addition to the standard Load Moment Indicator which gives the operator visual and audible warnings without any system over-ride interventions. It is designed to limit boom extend / boom lower functions to system pre-sets when the operator is working within load

chart parameters. The system monitors all variables as the operator changes reach and height during the lift cycle. As aircraft automatic systems monitor pilots' decisions, on the Teletruk the system progressively takes over as limits approach and hydraulic flow is reduced as necessary. If the operator continues to extend or lower, hydraulic flow to those functions will stop well within a safe zone.

This ensures the operator must retract or lift within the lift envelope stated on the Load Chart. JCB Adaptive Load Control complies with industry standard EN15000 for Europe.

TLT30D	TLT30G	TLT30D 4x4	TLT30D High Lift	TLT35D 4x4	TLT35D
					
3000	3000	3000	3000	3500	3500
1750	1750	1500	1950	2000	2100
4100	4100	4000	5150	4350	4400
2390	2390	2390	3320	2450	2430
Diesel	LPG	Diesel	Diesel	Diesel	Diesel
35.6	43	35.6	46	46	46
2490	2490	2995	2885	3500	2885
4900	4960	5100	5380	5500	5100
2205 / 2105	2205 / 2105	2300 / 2200	2205 / 2105	2300 / 2200	2205 / 2105
1280	1280	1400	1280	1400	1280
130	130	165	125	175	125
0.6	0.6	0.6	0.6	0.6	0.6

Your machine – working efficiently, secure and in good health

JCB LiveLink and Guardian are
the key to all three



As part of our dedication to looking at new, innovative ways to help you get the most out of your machine, our latest development is JCB LiveLink: an advanced machine monitoring system that enables you to better protect your investment and accurately monitor and improve machine performance.

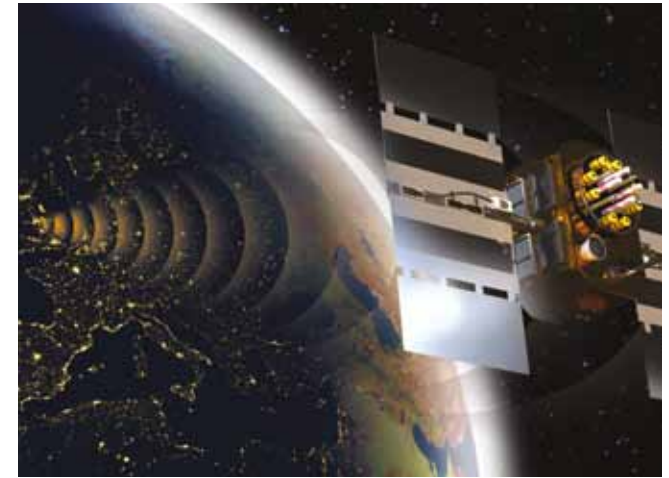
JCB LiveLink is a software system that enables JCB owners to monitor and manage their machines remotely. All you need is a PC connected to the internet. The LiveLink computer is built into the machine where it collects information from a number of sensors. This information is sent, using mobile communications technology, to JCB's secure data centre. Machine management information is then displayed to users via the LiveLink website, by email or via mobile phone.

By providing you with information on the usage and productivity of your fleet, JCB LiveLink enables you to keep track of each machine's efficiency, ensuring that you get the best value for money possible.

By providing information on the location, movement and activity of machines, the system can also assist in ensuring machines are operated at the correct times and helps to protect them from theft. And, JCB LiveLink helps machine owners to confirm that their machines are well maintained and in good health without having to travel around work sites inspecting machines.

In response to increasing concerns regarding machine security, we now also offer JCB Guardian as an option on every new JCB machine. JCB Guardian is a package of theft protection and monitoring systems that includes LiveLink telemetry along with *CESAR identification, immobiliser technology and a host of optional locks and guards. It's your peace of mind solution that can also result in considerable insurance premium savings.

**Territory specific*



JCB Assetcare

Flexible aftercare solutions

JCB Assetcare is a range of flexible service options designed to ensure you get the very highest standards of machine servicing, no matter what your budget. It guarantees you the optimum level of aftersales support, with highly skilled, factory-trained engineers using genuine JCB parts and lubricants to maintain maximum machine performance. This allows your machine to be covered to maximise uptime and profitability throughout its operating life.

*“For complete peace of mind
and cost predictability
choose JCB Assetcare.”*

JCB Assetcare offers you the following options, which can be tailor-made to meet your specific requirements including excellence as standard:

For complete peace of mind and total budget predictability, your JCB dealer can offer a **Full Repair and Maintenance package**, with a fixed monthly sum covering all regular maintenance and necessary repairs.

A **JCB Service Agreement** allows you to plan and manage your maintenance budget over a period of hours, or years of machine use, as determined by you. The price is maintained for the duration of the agreement and includes all parts, lubricants, labour and travel to maximise your machine performance.

JCB Sure Price Service (pay as you go) includes all genuine JCB lubricants, filters, greases and other parts and is carried out as you require it. The all-inclusive price also covers labour, 100 point check and any travel. Service intervals are hours based (usually every 500 hours) and no prior agreement is required; simply advise your dealer when the machine reaches the recommended service interval for great value for money.

JCB Machinery Protection Plan protects you against any unexpected failure for up to 2, 3, 4 or 5 years or up to 8,000 hours. You can take up a Machinery Protection Plan at any time during the first three months of ownership, and the package is transferable on the initial machine sale. Coverage options are 1000, 1250, 1500, 1750 or 2000 hours per year (dependent on the number of years).

For the full terms and conditions of the above programmes please speak to your local dealer.



A few words about JCB

A groundbreaking, world class family business with a commitment to supporting our customers and protecting the environment



A family company on a global scale. JCB is no ordinary company. From the dreams of one man, Joseph Cyril Bamford, we have grown into the world's largest privately owned construction equipment company. Since 1945, the same attention to detail, passion for progress and family spirit has taken us from strength to strength.

Nowadays JCB operates across five continents, manufacturing at 18 factories in the UK, Brazil, Germany, China, North America and India. With 1,500 dealer depots selling and supporting our products in over 150 countries, we are the global market leader for backhoe loaders and telescopic handlers.

A history of world-class innovation. Our business has always been driven by innovation, using only the most advanced technology, meticulous design, precision engineering and rigorous testing. Evidence of this commitment to innovation is illustrated in our revolutionary JCB Dieselmix engine. Having grabbed the headlines when it smashed the world diesel land speed record at 350.092mph, it is now providing our customers with tomorrow's performance today.



Doing things more efficiently, more sustainably. Since 2007 we have reduced our carbon emissions by 20%. We are continually working to further reduce the carbon footprint of our operations and, in partnership with our suppliers, our whole supply chain. We are also committed to designing our products to be sustainable during manufacturing, over the life of the machine and through end-of-life recycling. Our new Eco machines, for example, offer significant fuel and carbon savings; an average of 16% on the Eco backhoes and 22% on the 8085 Eco.



The best back-up in the business

Whether we're providing you with support, parts or finance, we aim for 100% satisfaction. It's all part of our promise to put you, the customer, first



Wherever you are, we are. Our mission to provide world-class support and deliver 100% satisfaction reaches into more than 1,500 dealer depots, spanning 150 countries across five continents. The aim? To bring you global expertise at a local level. We truly believe no other manufacturer does more to understand the subtle differences between one region of the world and another. It's a degree of attention that we maintain at every level of the company and an assurance to our customers that wherever they are in the world, JCB will fulfil their needs.

Trust the genuine article. At the heart of the support network is our impressive World Parts Centre, a state-of-the-art facility operating 24/7 to dispatch more than a million genuine parts and attachments every week to our dealers and international distribution centres. Because we understand the need to minimise downtime, we utilise the latest logistics and warehouse management systems and have committed to an 'Anywhere in 24 hours' strategy.

Keeping you up and running. Just as important as genuine JCB parts are the people who fit and maintain them. Our JCB-trained technicians in all of those 1,500-plus dealer depots provide excellent, expert customer care, whether it's routine servicing or something more urgent. If there is an emergency breakdown situation, we need to act fast. This is why all our dealers operate their own fleets of support vehicles, enabling parts to be delivered quickly and fitted expertly, and fulfilling our promise to keep our customers working.

Maximising earning potential. We grow as our customers grow. That's why, at JCB, we are committed to offering expert financial advice and support to help customers maximise their earning potential.

Finance options* are available for new and used machinery, all part of our dedication to helping customers preserve their working capital while spreading costs in the most effective and tax-efficient way.

And as well as financial help, we are also happy to offer JCB Insurance.* We specialise in construction and industrial insurance and in offering Insurance Premium Finance facilities.

** Please check individual countries for available services.*





JCB Sales Limited, Rocester, Staffordshire, United Kingdom ST14 5JP. Tel: +44 (0)1889 590312 Email: teletruk@jcb.com

Download the very latest information on this product range at: www.jcb.com

©2009 JCB Sales. All rights reserved. No part of this publication may be reproduced, stored in a retrieval system, or transmitted in any form or by any other means, electronic, mechanical, photocopying or otherwise, without prior permission from JCB Sales. JCB reserves the right to change specifications without notice. Illustrations and specifications shown may include optional equipment and accessories. The JCB logo is a registered trademark of J C Bamford Excavators Ltd.